

4.14mm(.163") Wire To Wire Connector

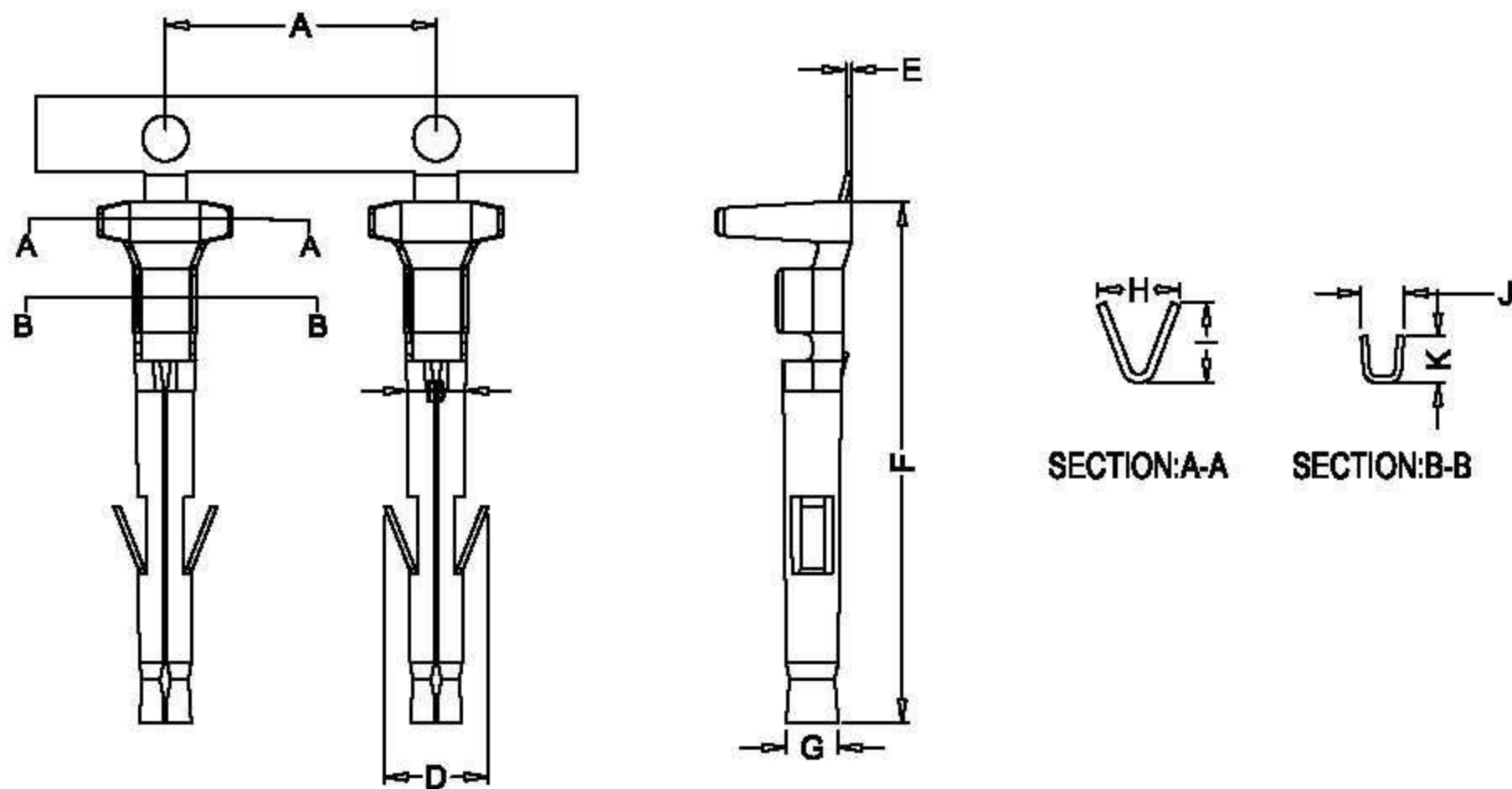
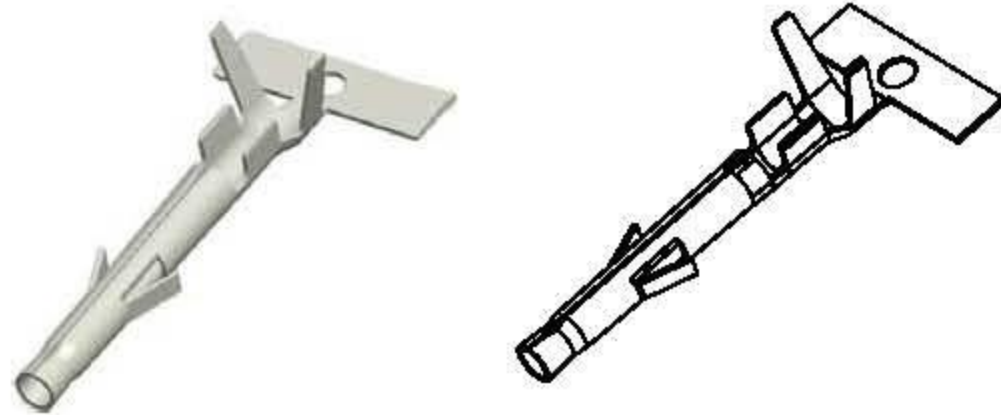


SPECIFICATIONS:

- Current Rating:7AAC,DC
- Voltage Rating:600V AC,DC
- Contact Resistance:20mΩ Max.
- Withstanding Voltage:1500V AC/minute Terminal
- Part No:T1010BS-2
- Wire Size:AWG#18~#26
- Material:Brass
- Finish:Tin plated: min. 50u"
- Thickness:0.20mm
- Qty/Reel:4000pcs
- Use With:P1010 Series
- Terminal In Housing Retention Force Requirements:3.5kg (Min.)
- Crimp tensile strength:AWG#18:9.1kg (Min.)
AWG#20:4.0kg (Min.)
AWG #22:4.0kg (min.)

Shenzhen Hongru Connector Co., Ltd

Email:yukyli@hrb-connector.com
Tel: 86-0755 2709 6669
Fax: 86-0755 2709 2392
Skype: haiyuncheng-vivian
Mobile(whatsapp): 86-186 8112 3590
Website: http://www.hrb-connector.com



Ordering Information And Dimensions

Part NO.	A	B	C	D	E	F	G	H	I	J	K	Wire Size
T1010BS-2	11.00	1.90	20.80	3.40	0.20	17.10	1.75	4.50	4.45	2.10	2.10	AWG#18~22
T1010BS-2A	11.00	1.90	20.80	3.40	0.20	17.10	1.75	2.60	2.95	1.60	1.56	AWG#24~26

PART CODE INFORMATION

XXXX XX - X
I II III

- I-T1010 Denoting series designation.
- II-BS denoting brass of body
- III-2 or 2A,Denoting different of body construction

