

6.35mm(.250") Wire To Wire And Wire To Board Connector



Connector & Terminal

Shenzhen Hongru Connector Co., Ltd

Email: yukyli@hrb-connector.com
 Tel: 86-0755 2709 6669
 Fax: 86-0755 2709 2392
 Skype: haiyuncheng-vivian
 Mobile(whatsapp): 86-186 8112 3590
 Website: <http://www.hrb-connector.com>

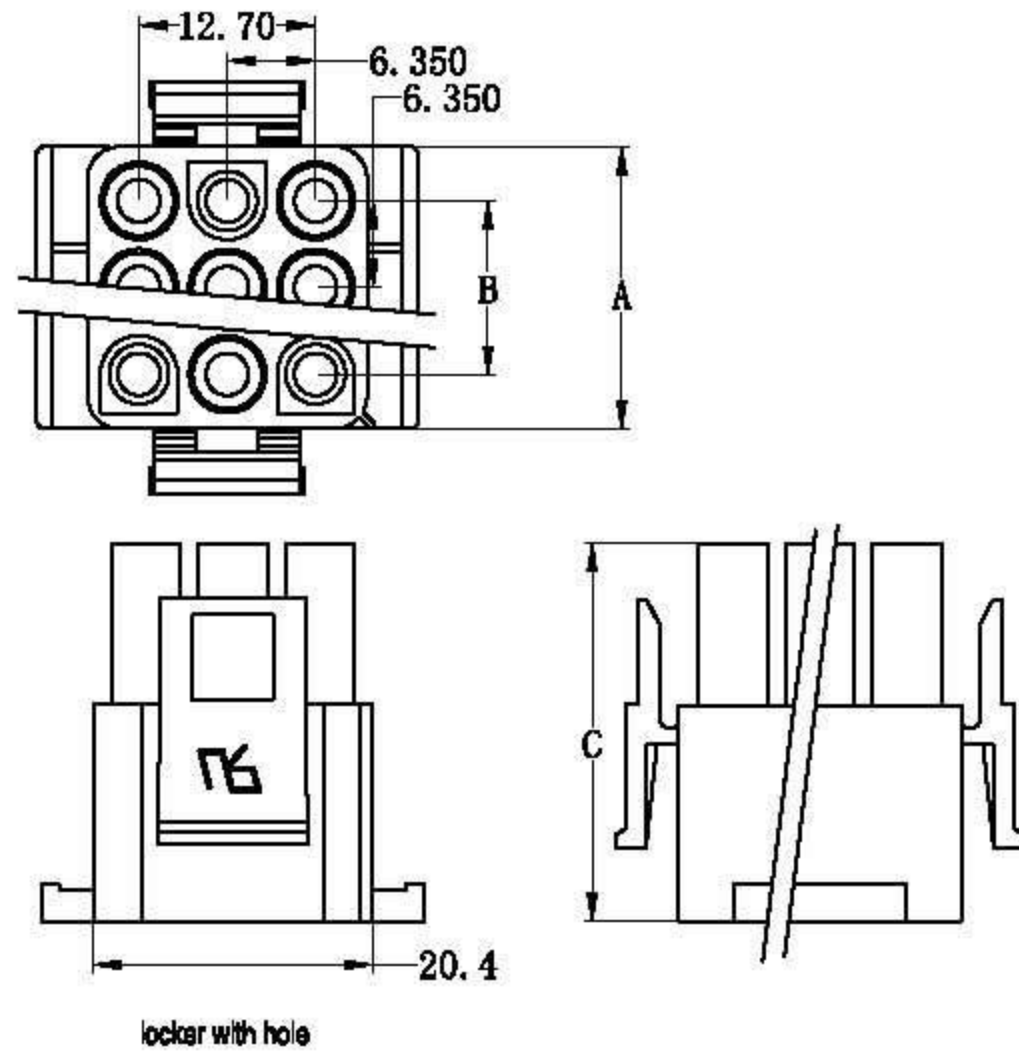
SPECIFICATIONS:

- Current Rating:15AAC,DC
- Voltage Rating:600V AC,DC
- Operating Temperature:V2:-25°C~+85°C
V0:-40°C~+135°C
- Contact Resistance:10mΩ max.
- Insulation Resistance:1000MΩ Min.
- Withstanding Voltage:5000V AC/minute
- Material:Nylon66 UL94V-2 /UL94V-0
- UL File No:E304945
- Terminal In Housing Retention Force Requirement:8.0kg (Min.)
- GWT:750°C IEC-60335-1



locker without hole

locker with hole



locker without hole

locker with hole

Ordering Information And Dimensions

Part NO.				Circuits	Dimensions		
TYP UL94V-2/locker with hole	TYP UL94V-2/locker without hole	TYP UL94V-0/locker with hole	TYP UL94V-0/locker without hole		Dim:A	Dim:B	Dim:C
P9848-3x2-A-H-B-A/B	P9848-3x2-A-A-B-A/B	P9848-3x2-W-H-A-A/B	P9848-3x2-W-A-A-A/B	6	14.10	6.35	27.70
P9848-3x3-A-H-B-A/B	P9848-3x3-A-A-B-A/B	P9848-3x3-W-H-A-A/B	P9848-3x3-W-A-A-A/B	9	20.25	12.70	27.70
P9848-3x4-A-H-B-A/B	P9848-3x4-A-A-B-A/B	P9848-3x4-W-H-A-A/B	P9848-3x4-W-A-A-A/B	12	27.40	19.05	28.20
P9848-3x5-A-H-B-A/B	P9848-3x5-A-A-B-A/B	P9848-3x5-W-H-A-A/B	P9848-3x5-W-A-A-A/B	15	34.10	25.20	28.20

