

6.35mm(.250") Wire To Wire And Wire To Board Connector

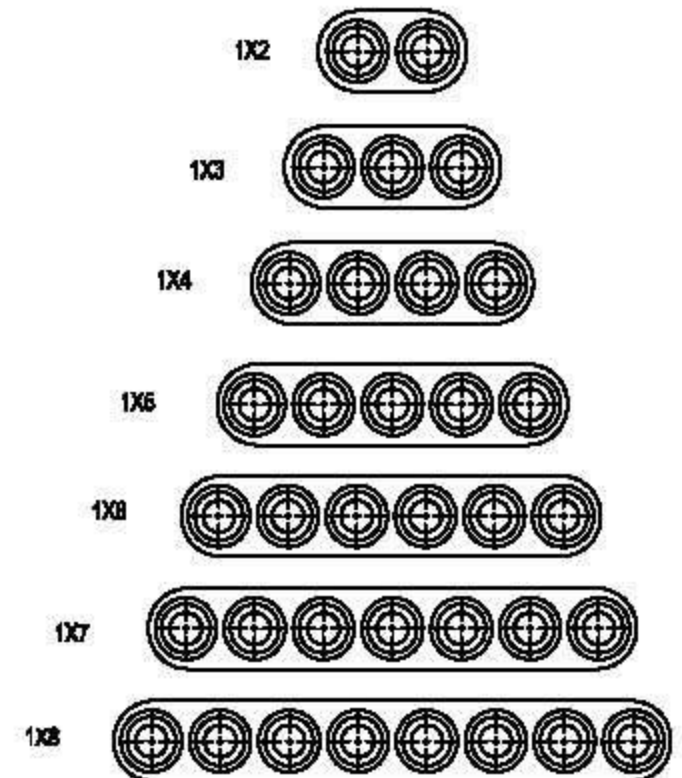
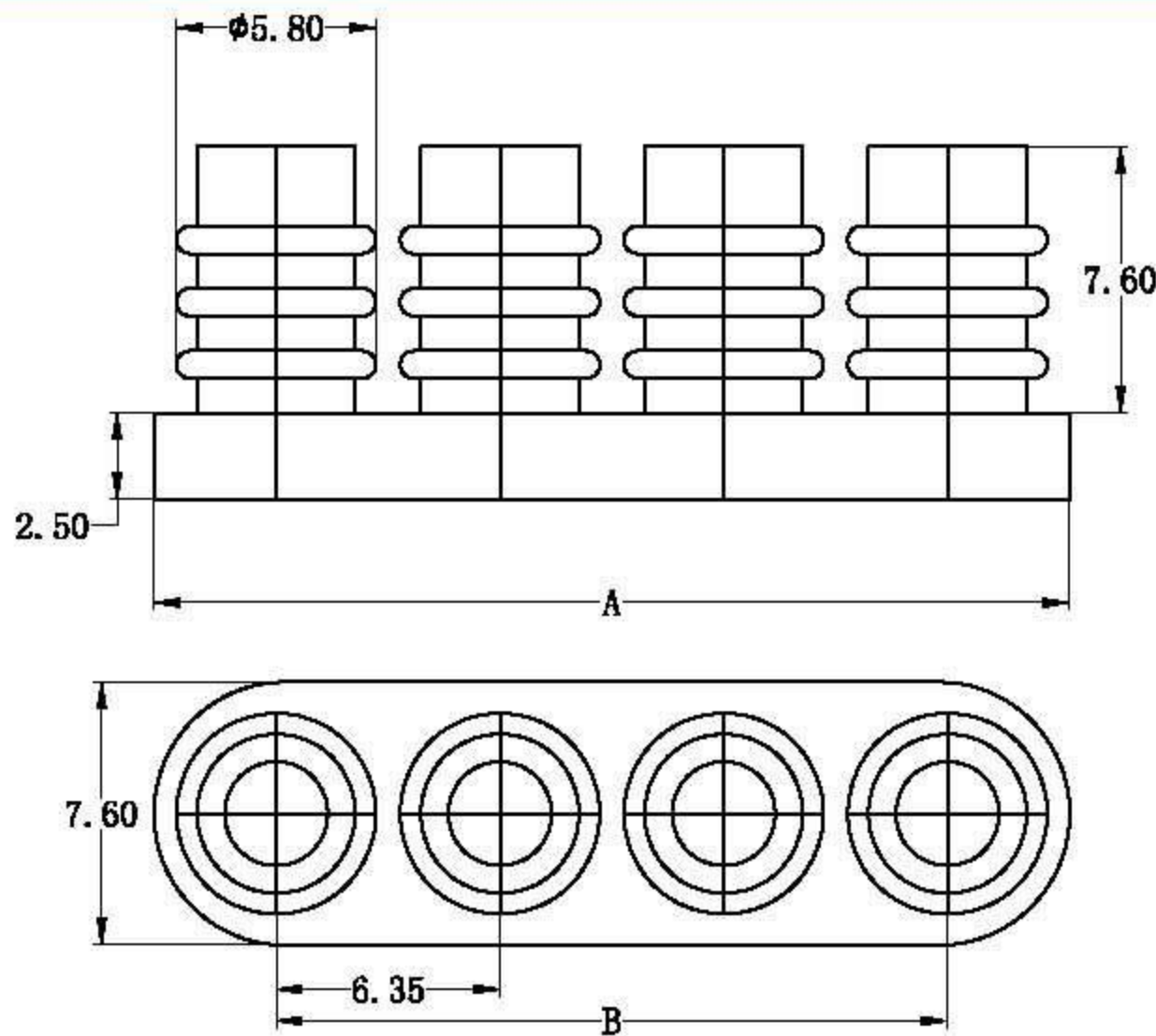
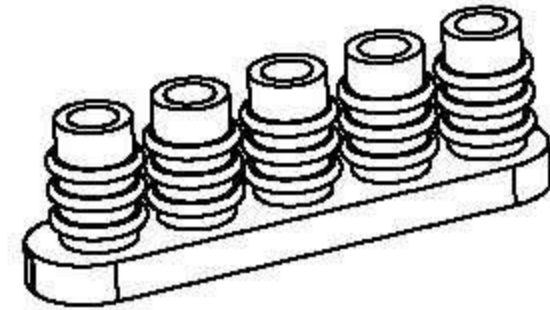


SPECIFICATIONS:

- 1.Product Surface Should Be Smooth, Bright And Clean, No Flash, Bubble, Crack, Different Color Phenomena.
- 2.The Product Is Shallow Blue Color.

Shenzhen Hongru Connector Co., Ltd

Email:yukyli@hrb-connector.com
 Tel: 86-0755 2709 6669
 Fax: 86-0755 2709 2392
 Skype: haiyuncheng-vivian
 Mobile(whatsapp): 86-186 8112 3590
 Website: http://www.hrb-connector.com



Ordering Information And Dimensions

Part NO.	Circuits	Dimensions	
		Dim:A	Dim:B
PL635OU-1x2	2	13.90	6.35
PL635OU-1x3	3	20.25	12.70
PL635OU-1x4	4	26.60	19.05
PL635OU-1x5	5	32.95	25.20
PL635OU-1x6	6	39.30	31.75
PL635OU-1x7	7	45.65	38.10
PL635OU-1x8	8	52.00	44.45



6.35mm(.250") Wire To Wire And Wire To Board Connector



SPECIFICATIONS:

- 1.Product Surface Should Be Smooth, Bright And Clean, No Flash, Bubble, Crack, Different Color Phenomena.
- 2.The Product Is Shallow Blue Color.

Shenzhen Hongru Connector Co., Ltd

Email:yukyli@hrb-connector.com

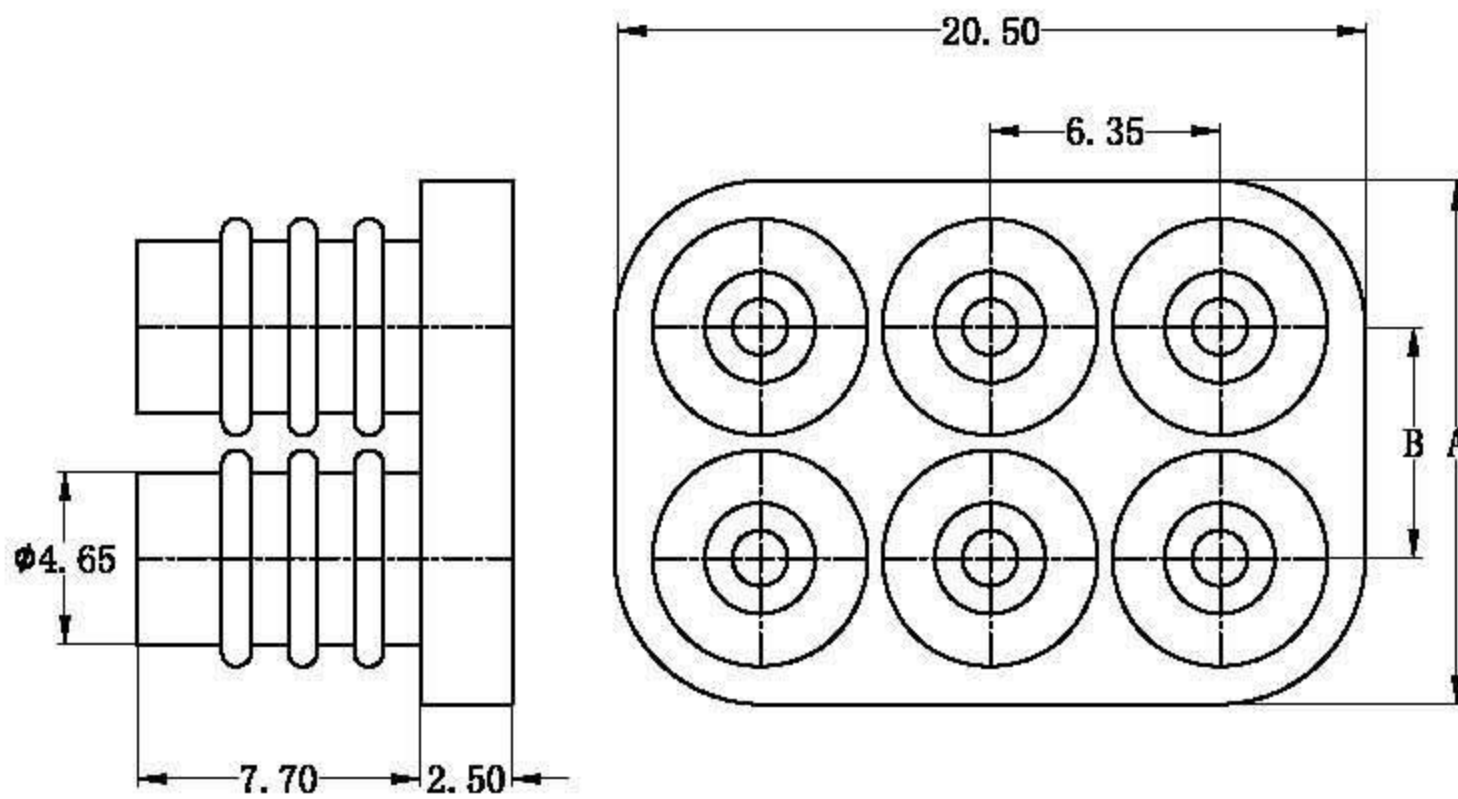
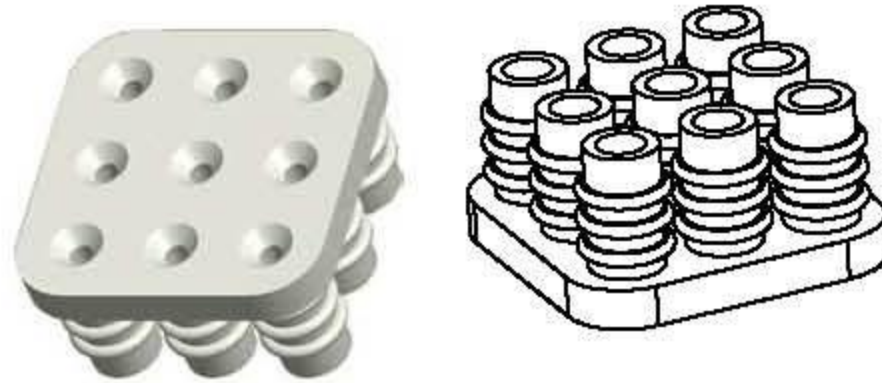
Tel: 86-0755 2709 6669

Fax: 86-0755 2709 2392

Skype: haiyuncheng-vivian

Mobile(whatsapp): 86-186 8112 3590

Website: <http://www.hrb-connector.com>



Ordering Information And Dimensions

Part NO.	Dimensions		
	Circuits	Dim:A	Dim:B
PL635OU-3x2	6	14.15	6.35
PL635OU-3x3	9	20.50	12.70
PL635OU-3x4	12	26.85	19.05
PL635OU-3x5	15	33.20	25.20

